

Cantilever Bracket AK CC

Group: 1354

Application

Ready-to-use bracket mainly for mounting pipes or canal to channels.

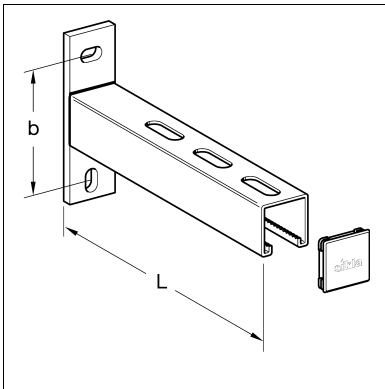
Installation

When used in combination with slide elements, a tie rod is absolutely essential for absorbing the forces running along the centre line of the pipe.

For cantilever lengths ≥ 500 mm we recommend the integration of a prop-up.

Technical Data

Material: Steel, electro-galvanised



Type	L [mm]	Wall plate [mm]	b [mm]	W [kg]	Quantity/ [pack]	Part number
CC 41/41-200	196	134 x 40 x 8	100	0.79	10	191792
CC 41/41-260	258	134 x 40 x 8	100	0.90	10	191801
CC 41/41-320	321	134 x 40 x 8	100	0.90	10	191819
CC 41/41-445	446	134 x 40 x 8	100	1.27	10	191828
CC 41/41-570	571	134 x 40 x 8	100	1.80	10	191837
CC 41/41-820	821	134 x 40 x 8	100	2.00	1	191846
CC 41/41-1010	1008	134 x 40 x 8	100	2.87	1	191855